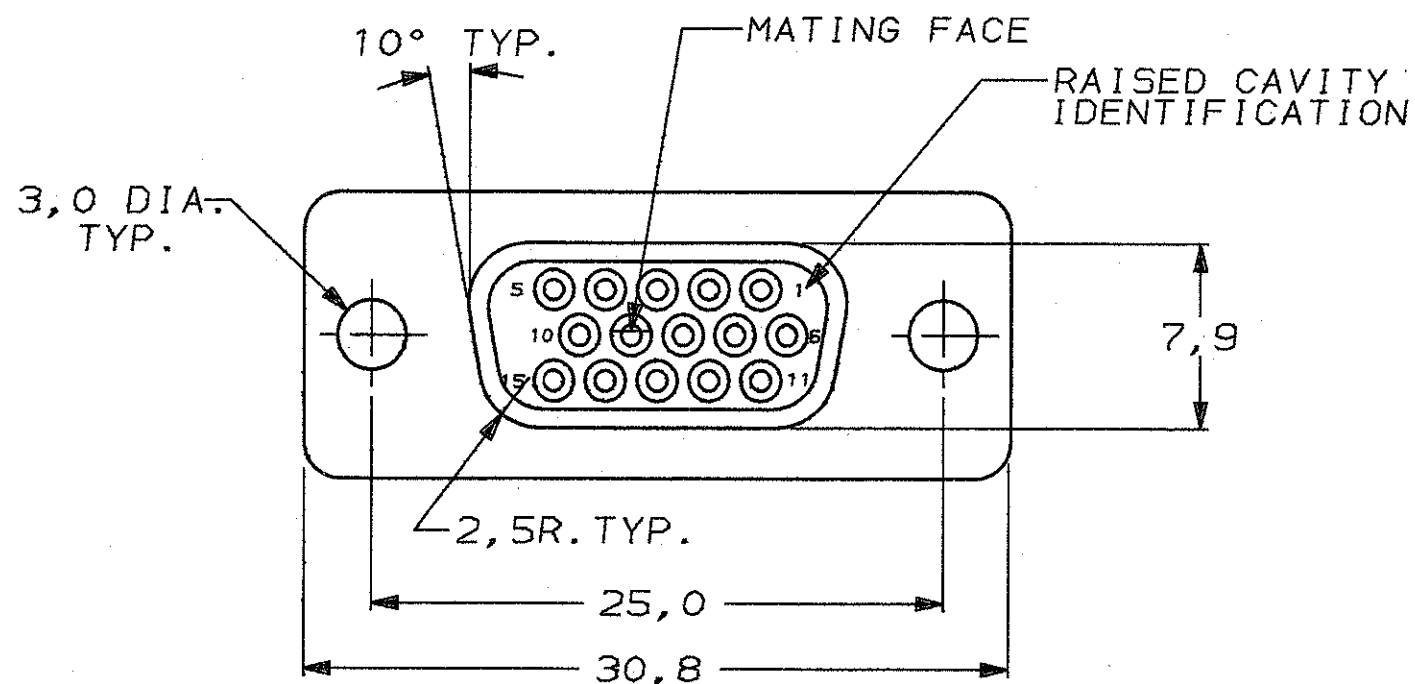
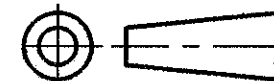


DO NOT SCALE

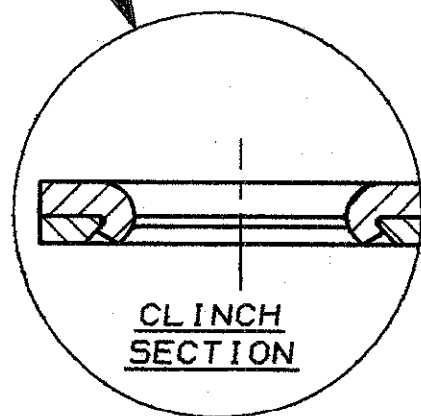
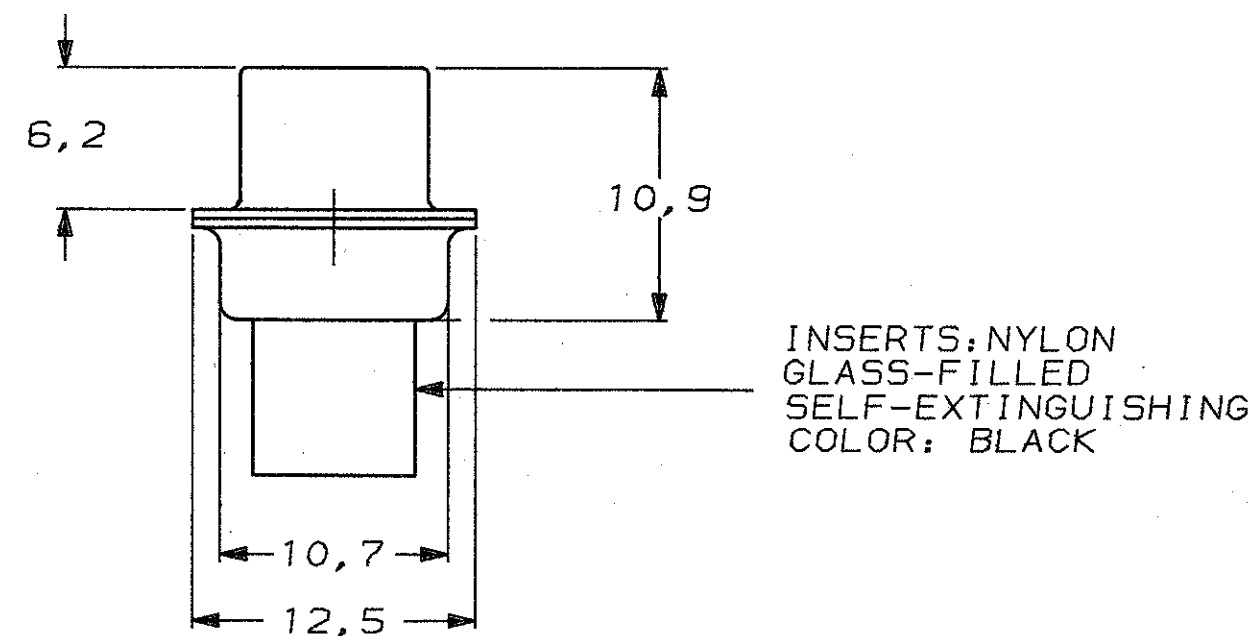
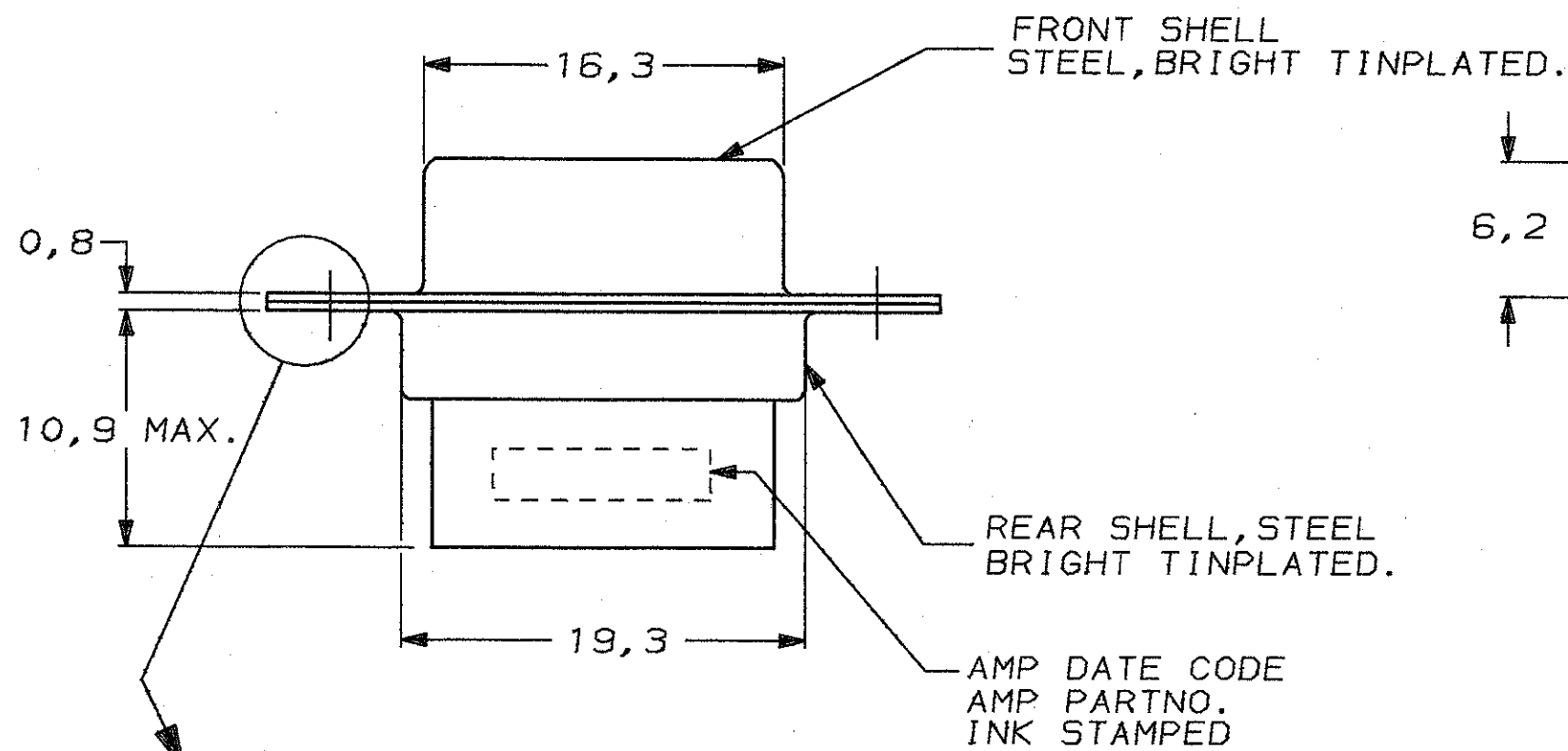
DIMENSIONS IN mm

METRIC

THIRD ANGLE
PROJECTION



- NOTES: 1 THIS RECEPTACLE ACCEPTS SIZE 22 REC. CONTACTS.
 2 RETENTION TINES ARE AN INTEGRAL PART OF INSERT.
 3 CONTACT INSERTION/REMOVAL TOOL AMP P.N. 91285-1 IS RECOMMENDED FOR USE WITH THESE CONNECTORS:



CUSTOMER DRAWING	SEE DRAWING	SEE DRAWING	216164-1
	FINISH	MATERIAL	PARTNUMBER
	AMP		AMP-HOLLAND B.V. 's-Hertogenbosch, The Netherlands.
	THIS DRAWING IS UNPUBLISHED		RELEASED FOR PRODUCTION
FOR REFERENCE ONLY WILL NOT BE UPDATED	© COPYRIGHT 19- BY AMP-HOLLAND B.V. ALL INTERNATIONAL RIGHTS RESERVED. AMP PRODUCTS MAY BE COVERED BY U.S. AND FOREIGN PATENTS AND/OR PATENTS PENDING.		
DR. J. V. D. HEIJDEN.	DATE 06-12-88	WIRE RANGE -	NAME HDP-22 REC. CONNECTOR, SIZE 1, (15 POSITION)
CHK. <i>E. Silbwa</i>	DATE 2-1-89	INSUL. RANGE -	REV. DATE 06 12 88
APP. -	DATE 4.1.89	SIZE A3	SHEET 1 OF 1
		DWG. No.	C-216164
		REV. LTR. 0	

8 7 6 5 4 3 2 1